

The Headline: Design & manufacturing of remotely operated pull in system (ROPS) for riser control lines

Client: Equipment OEM + drilling vessel

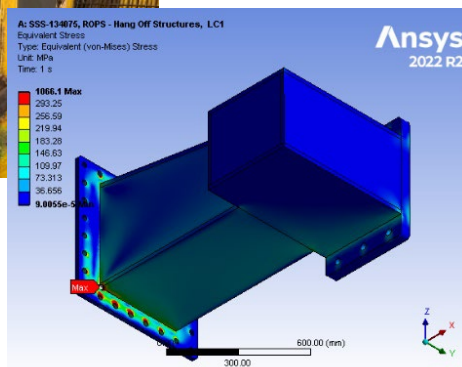
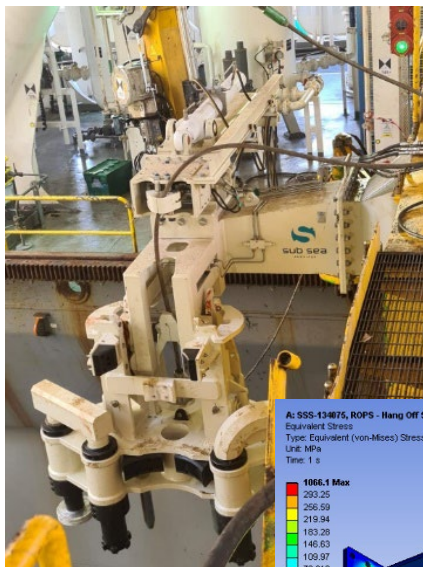
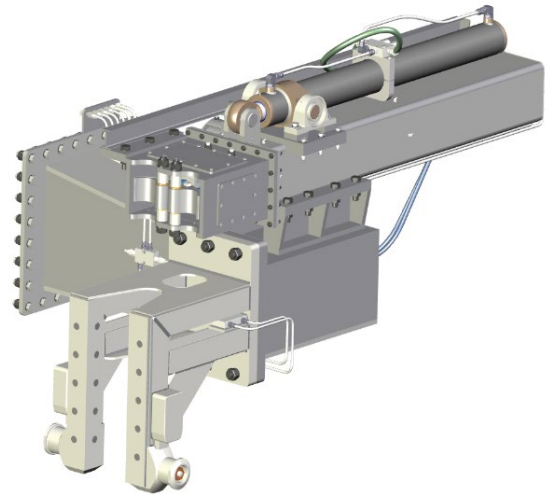
Location: Global

Year: 2023

Sector: Oil and Gas

The Challenge: Develop a remotely operated system for connecting peripheral control lines from marine drilling riser to the rig conflux hoses, to eliminate man-riding requirements.

What We Did: We developed an effective mechanical-hydraulic delivery arm system, interfaced with the drilling vessel moonpool trolley and onboard hydraulic system. Working in partnership with Phase Projects (survey & CAD drafting support) and Hydrus Group (manufacture), we designed, engineered, and delivered delivery arms systems in record short time demanded by the project. System successfully commissioned in 2023.



Astrimar scope of supply included:

- 1 Concept development
- 2 Detailed engineering design
- 3 Creation of CAD models of existing subsea equipment
- 4 Analysis of the delivery system by classical calculations and Finite Element Analysis
- 5 Client and Peer Design Review
- 6 Vessel interfacing
- 7 Project management
- 8 Manufacturing management
- 9 Engineering documentation
- 10 Installation and operations documentation

Find out more

For more information related to any of our Engineered Solutions, Reliability Engineering, Technical Assurance, and other wider services, please contact us via our website www.astrimar.com